

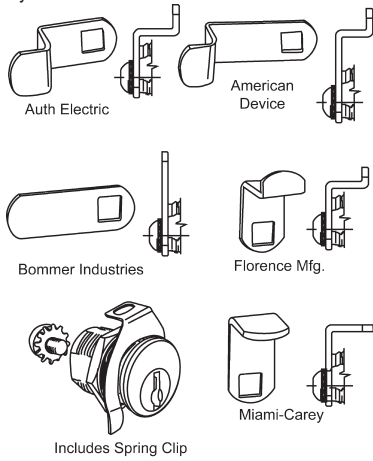
MAIL BOX LOCKS

MULTI-CAM MAIL BOX LOCK KITS

97-75

For Interior Mail Boxes
Bright Nickel Finish

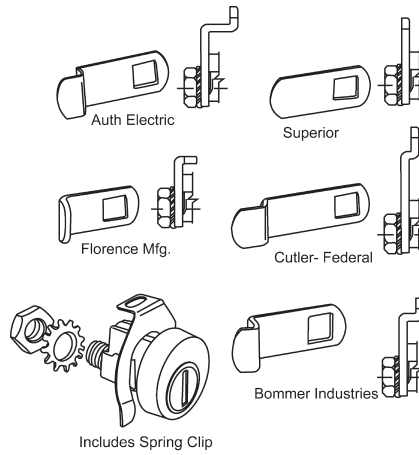
Nut mounted lock meets specifications established by the U.S. Postal Service. Counter clockwise cam turn to open. Furnished with two keys, five different cams shown below, cam screw, mounting nut and instructions. Assemble with cam that matches lock. Keyway NA 14



97-17

For Outside Mail Boxes
Bright Nickel Finish

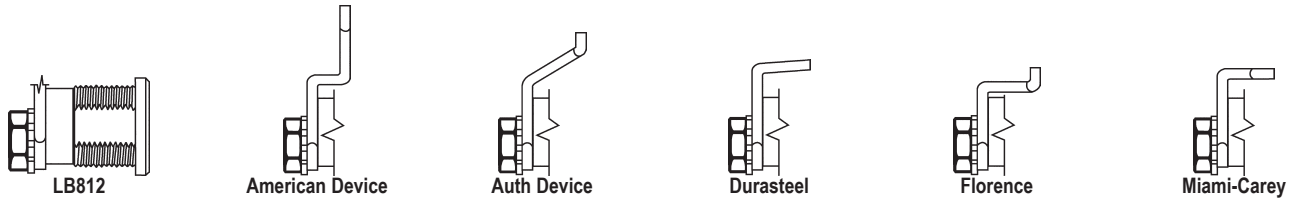
Keyway Dust Shutter protects mechanism from the elements. Lock has dual slots for mounting indoor using spring clip. Clockwise cam turn to open. Furnished with three keys, five different cams shown below, nut, lock washer, spring clip and instructions. Assemble with cam that matches present lock. Keyway NA 14



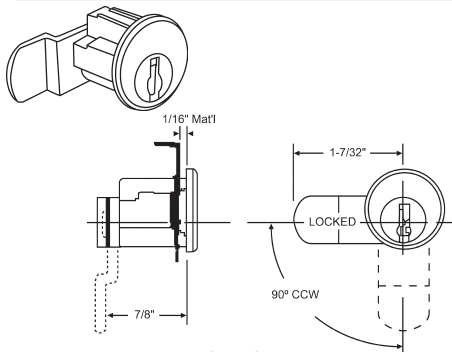
97-28

Replacement for Hudson #PT812

Multi-Cam Mail Box Lock Kit a suitable replacement for hudson #PT812. Hex nut mounted. Meets U.S. Postal Service specifications. 90° CCW cam rotation. Key removable in locked position only. Furnished with 3 keys, 5 cams, and all necessary mounting hardware. Keyway HL 1 - Nickel finish

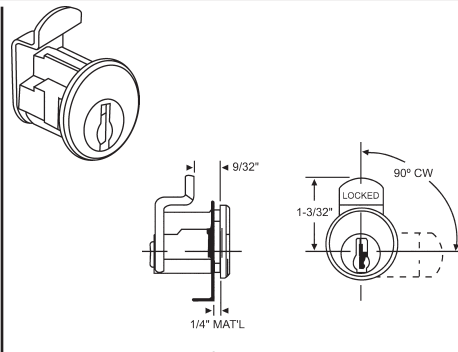


FIXED CAM MAIL BOX LOCKS



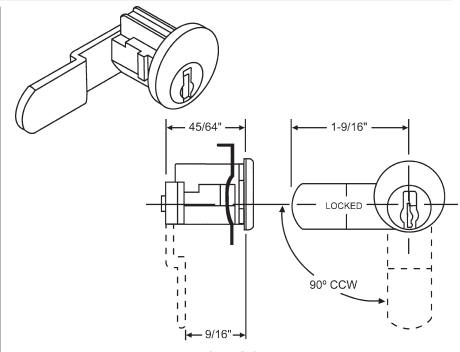
97-76

Bommer. Bright Chrome
Locked Cam Position - Left. Keyway NA14



97-77

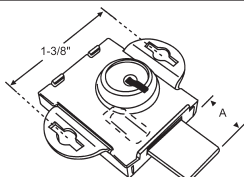
Florence Mfg. Bright Chrome.
Locked Cam Position - Up. Keyway NA14



97-20

Cutler Federal. Bright Chrome
Locked Cam Position - Down. Keyway NA12

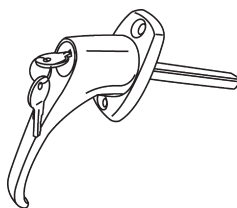
FLAT MAILBOX LOCKS



Part #	"A"
97-18	1/4"
97-19	1/2"

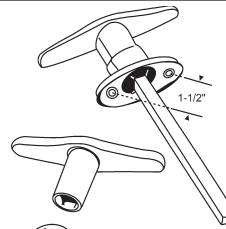
Replaces: Eagle #2616 1/4C, Ilco #4070A Fits: Auth, United, Florence. Bright Brass Finish Furnished with Two Keys.

GARAGE DOOR HANDLES



42-37

Chrome Plated with Keys



42-39

Chrome Plated Tee Handle Set