

MORTISE LOCKS

DEADLATCH



Specify RH or LH  
(LH Shown)

DEADBOLT



Non Handed

HOOKBOLT



Non Handed

SPECIFICATIONS

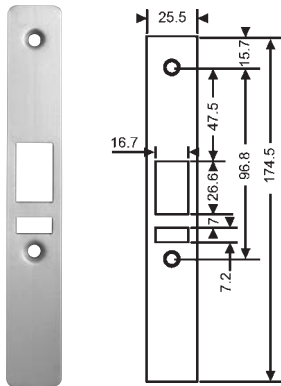
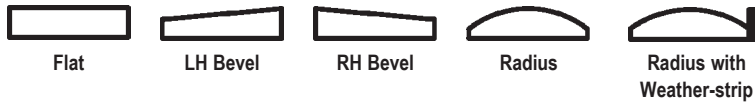
- Function: Deadbolt, Hookbolt, Deadlatch
- Backset: 31/32", 1-1/8", 1-1/2"
- Case Dimensions: 7/8"W x 6"L x Depth specific to backset
- Latchbolt: Deadbolt - 5/8"W x 2-7/8" L x 1-3/8" throw
- Hookbolt - 5/8"W x 1-3/8" L x 13/16" throw
- Deadlatch - 1/2"W x 1.0" L x 1/2" throw
- Deadlatches: Zinc alloy latchbolt with Delrin plastic insert, auxiliary bolt zinc die cast, deadlocks latchbolt and prevents manipulation

Part #	Hand	Function	Lock Backset	Case Depth
19-411	Reversible	Deadlatch	31/32"	1-5/8"
19-401	Reversible	Deadlatch	1-1/8"	1-25/32"
19-435	Non- Handed	Deadbolt	31/32"	1-5/8"
19-403	Non- Handed	Deadbolt	1-1/8"	1-25/32"
19-436	Non- Handed	Hookbolt	31/32"	1-5/8"
19-402	Non- Handed	Hookbolt	1-1/8"	1-25/32"
19-405	Non- Handed	Hookbolt	1-1/2"	2-1/4"

Note: Faceplates must be ordered separately. See below for styles and colors.

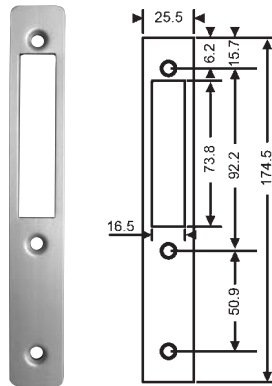
FACEPLATES

APPLICABLE DOOR STILES



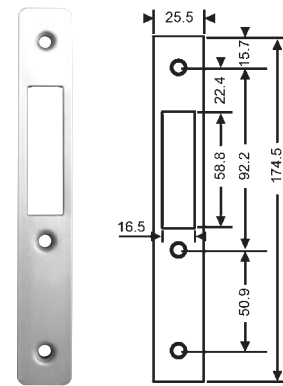
Faceplates for Mortise Lock with Deadlatch

Part #	Door Stile	Finish
19-434	Flat	Aluminum
19-434DBZ	Flat	Bronze
19-413	LH Bevel	Aluminum
19-413DBZ	LH Bevel	Bronze
19-414	RH Bevel	Aluminum
19-414DBZ	RH Bevel	Bronze
19-412	Radius	Aluminum
19-412DBZ	Radius	Bronze
19-415	Radius w/Weather-strip	Aluminum
19-415DBZ	Radius w/Weather-strip	Bronze



Faceplates for Mortise Lock with Deadbolt

Part #	Door Stile	Finish
19-432	Flat	Aluminum
19-432DBZ	Flat	Bronze
19-420	LH Bevel	Aluminum
19-420DBZ	LH Bevel	Bronze
19-421	RH Bevel	Aluminum
19-421DBZ	RH Bevel	Bronze
19-416	Radius	Aluminum
19-416DBZ	Radius	Bronze
19-423	Radius w/Weatherstrip	Aluminum
19-423DBZ	Radius w/Weatherstrip	Bronze



Faceplates for Mortise Lock with Hookbolt

Part #	Door Stile	Finish
19-433	Flat	Aluminum
19-433DBZ	Flat	Bronze
19-418	LH Bevel	Aluminum
19-418DBZ	LH Bevel	Bronze
19-419	RH Bevel	Aluminum
19-419DBZ	RH Bevel	Bronze
19-417	Radius	Aluminum
19-417DBZ	Radius	Bronze
19-422	Radius w/Weatherstrip	Aluminum
19-422DBZ	Radius w/Weatherstrip	Bronze

PUSH/PULL PADDLE



For use with 19-401 and 19-411 deadlatch or any other brand of narrow stile mortise deadlatch. Paddle is four way reversible, select application required by referring to chart below. Handing can be reversed on cam plug by removing C- clip and flipping the cam over and reinstalling C- clip.

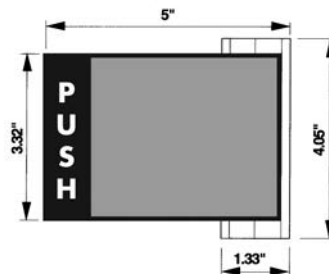
SPECIFICATIONS

- Paddle: Extruded aluminum
- Housing: Zinc alloy, black hard coat finish
- Operating assembly: Steel mechanism
- Hand: Non-handed, cam plug included - Reversible
- Standard package: Paddle arm, operating housing, binder posts, cam plug, self adhesive decals and mounting hardware

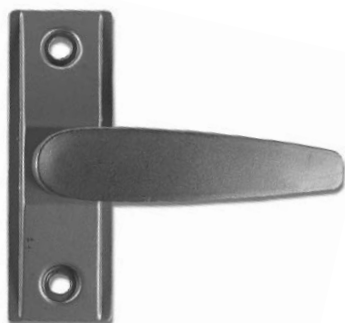
UNIVERSAL - 4 WAY REVERSIBLE

Type	Operation	Use
PULL - LH	PULL TO LEFT	Outside of left hand reverse door or inside of right hand
PUSH - LH	PUSH TO LEFT	Outside of left hand door or inside of right hand reverse
PULL - RH	PULL TO RIGHT	Outside of right hand reverse door or inside of left hand
PUSH - RH	PUSH TO RIGHT	Outside of right hand door or inside of left hand reverse

Part #	Finish
19-431	Aluminum
19-431BZ	Bronze



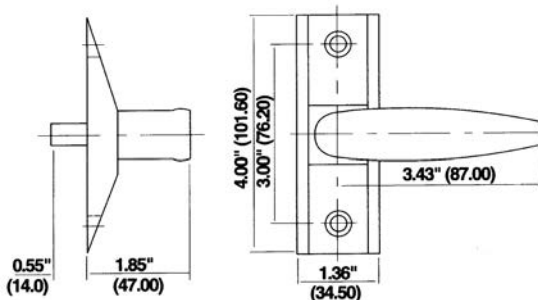
LEVER HANDLE



For use with 19-401 and 19-411 deadlatch or any other brand of narrow stile mortise deadlatch. Lever is reversible. Handing can be reversed on cam plug by removing C- clip and flipping the cam over and reinstalling C- clip. Cam plug is secured to lever by 2 hardened steel pins. Cam plug locks into deadlatch by use of set screw in deadlatch.

SPECIFICATIONS

- Lever: Aluminum alloy cast
- Escutcheon: Aluminum 1-3/8" x 4", heavy duty spring mechanism prevents sagging of lever handle
- Spindle: Wrought steel, 1/4" square hardened heat treated
- Hand: Non-handed easily reversible
- Operation: Turning lever downward will activate deadlatch
- Standard package: Cam plug included, all mounting screws, templates and installation instructions



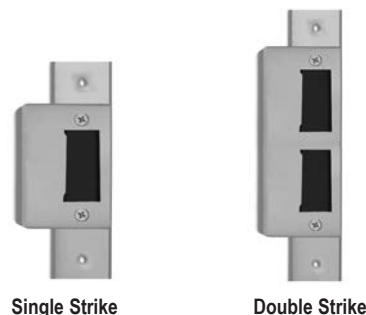
Part #	Finish
19-428	Aluminum
19-428BZ	Bronze

For Installation and reversing instructions, go to <https://www.strybuc.com/pdfs/19-428-Installation-Guide.pdf>

STRIKES

Part #	Description	Finish
19-570	Single Strike	Aluminum
19-571	Double Strike	Aluminum

Both strikes are for use with 19-401 and 19-411 deadlatch or any other brand of narrow stile mortise deadlatch. Order double strike when converting a narrow stile lock to a deadlatch, to cover elongated slot in aluminum frame.



Single Strike

Double Strike

CYLINDERS/TRIM RINGS/ COLLARS

Mortise Cylinder

Part #	Description	Finish	Material
19-573	Key Cylinder (Keyed Alike in Pairs)	Aluminum	Zinc
19-573BZ	Key Cylinder (Keyed Alike in Pairs)	Bronze	Zinc
19-410	Key Cylinder (Keyed Different)	Aluminum	Zinc
19-410BZ	Key Cylinder (Keyed Different)	Bronze	Zinc
19-755	Key Cylinder (Keyed Different)	Aluminum	Brass
19-755BZ	Key Cylinder (Keyed Different)	Bronze	Brass
19-572	Key Cylinder (Keyed Alike)	Aluminum	Zinc
19-572BZ	Key Cylinder (Keyed Alike)	Bronze	Zinc
19-409	Thumbturn Cylinder	Aluminum	Zinc
19-409BZ	Thumbturn Cylinder	Bronze*	Zinc
19-408	Dummy Cylinder	Aluminum	Zinc
19-408BZ	Dummy Cylinder	Bronze	Zinc

\*Bronze Cylinder with Aluminum Thumbturn

Rim Cylinders

Part #	Description	Finish	Material
19-568	Keyed Rim Cylinder	Aluminum	Brass
19-568BZ	Keyed Rim Cylinder	Bronze	Brass

Part #	Description	Finish
19-565	Extruded Trim Ring 3/16" (Solid)	Aluminum
19-565BZ	Extruded Trim Ring 3/16" (Solid)	Bronze
19-566	Stamped Trim Ring 3/16" (Hollow)	Aluminum
19-566BZ	Stamped Trim Ring 3/16" (Hollow)	Bronze
19-567	Cylinder Guard Anti-Wrench Collar	Aluminum
19-567BZ	Cylinder Guard Anti-Wrench Collar	Bronze



Keyed Mortise Cylinder



Thumbturn Mortise Cylinder



Dummy Mortise Cylinder



Keyed Rim Cylinder



Extruded Trim Ring (Solid)



Stamped Trim Ring (Hollow)

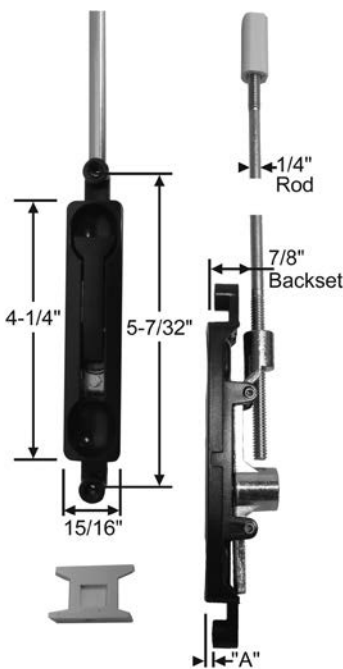


Cylinder Guard Anti-Wrench Collar

SPECIFICATIONS

- Type: Mortise or Rim
- Finish: Zinc or Brass Mortise, Brass Rim
- Key cylinders - 5 pin Schlage "C" keyway
- Mortise cylinders are 1-5/32" diameter, 1" length
- Cam - MS A/R type, except DUM
- Rim cylinder, flat cut to size tail piece - Keyed different packed with collar ring, mounting plate, 2 screws
- Key options
  - Keyed different
  - Keyed alike
  - Keyed alike in pairs

FLUSH BOLT

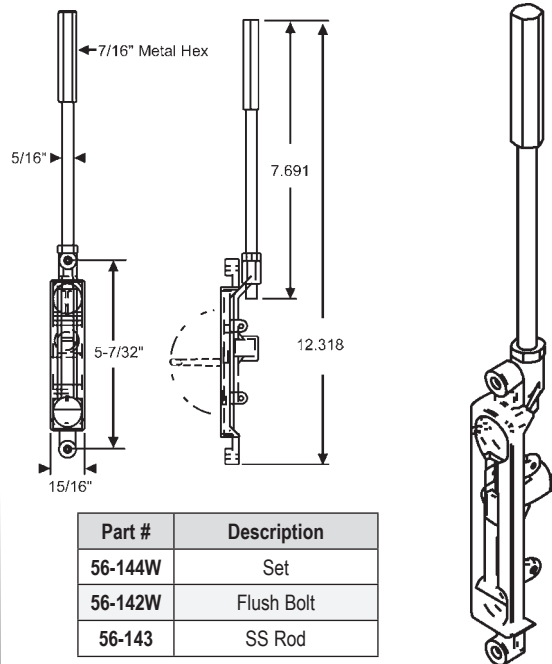


Mortise flush bolt for use on all commercial Storefront and architectural aluminum and glass narrow stile door. Made for easy installation, replaces most brands of Storefront flush bolt.

SPECIFICATIONS

- Spring loaded lever action
- Rod extension- 7/8" throw
- Backset 3/4"
- 5/8" adjustment on rod length
- Face plate dimensions 15/16" x 4-1/2" with 5/32" radius corner
- Square 1/2" nylon tip with beveled corners to prevent binding
- Supplied with nylon keeper and fasteners

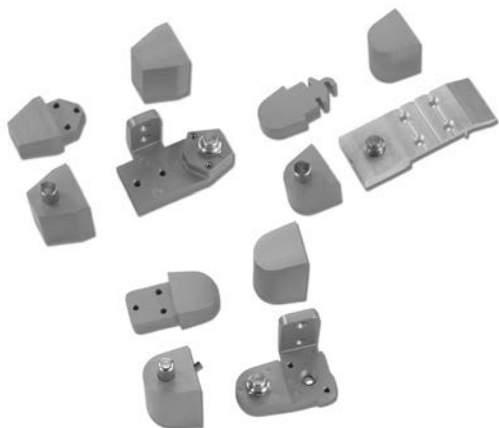
Part #	A	Rod Length	Finish
19-426	1/8"	10"	Aluminum
19-426BZ	1/8"	10"	Bronze
19-427	1/4"	10"	Aluminum
19-427BZ	1/4"	10"	Bronze
19-569	1/8"	16"	Aluminum
19-569BZ	1/8"	16"	Bronze



Part #	Description
56-144W	Set
56-142W	Flush Bolt
56-143	SS Rod

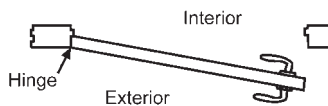
TRACO/SECURITY

3/4" OFFSET PIVOT

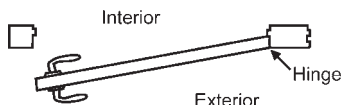


Offset Pivots are used for both flush face frame installation and recessed door applications. Pivots replace most major door manufacturers. Suitable for aluminum doors weighing up to 125 pounds. These pivots are engineered and designed for durability, style and are easy to install. To order pivot: For LHRB door order RH pivot. For RHRB door order LH pivot.

Left Hand Outswing (LH)



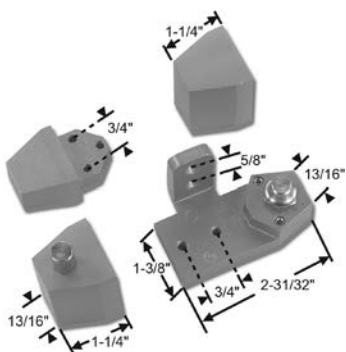
Right Hand Outswing (RH)



**SPECIFICATIONS**

- 3/4" offset pivots for aluminum doors and frames
- Weather resistant
- Aluminum case construction
- Vertical adjustment 1/8"
- Full race ball bearing and design, provides smooth operation on bottom pivot door portion
- No sag, entire weight of doors rests on floor mounted pivot portion
- Completely tamper proof, yet easily removable, replaceable in unlocked position

**ARCH/VISTAWALL/TUBELITE/ARCADIA STYLE**

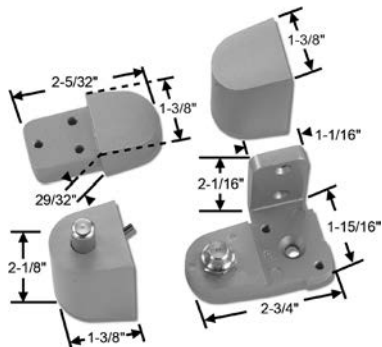


Left Hand Shown

Part #	Application	Hand	Finish
19-259LH	1/8" Recessed Door	LH	Aluminum
19-259RH	1/8" Recessed Door	RH	Aluminum
19-259LHBZ	1/8" Recessed Door	LH	Bronze
19-259RHBZ	1/8" Recessed Door	RH	Bronze
19-736LH	For Flush Face Frame	LH	Aluminum
19-736RH	For Flush Face Frame	RH	Aluminum
19-736LHBZ	For Flush Face Frame	LH	Bronze
19-736RHBZ	For Flush Face Frame	RH	Bronze

Includes Screws

**PITCO/PPG STYLE**

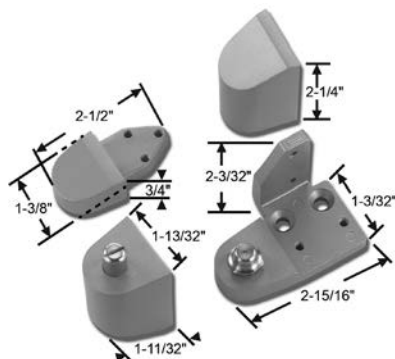


Right Hand Shown

Part #	Application	Hand	Finish
19-734LH	3/32" Recessed Door	LH	Aluminum
19-734RH	3/32" Recessed Door	RH	Aluminum
19-734LHBZ	3/32" Recessed Door	LH	Bronze
19-734RHBZ	3/32" Recessed Door	RH	Bronze

Includes Screws

**AMARLITE/REBCO STYLE**



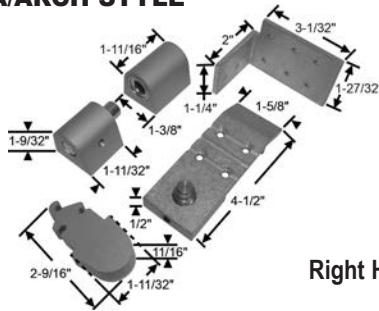
Right Hand Shown

Part #	Application	Hand	Finish
19-255LH	1/8" Recessed Door	LH	Aluminum
19-255RH	1/8" Recessed Door	RH	Aluminum
19-255LHBZ	1/8" Recessed Door	LH	Bronze
19-255RHBZ	1/8" Recessed Door	RH	Bronze

Includes Screws

3/4" OFFSET PIVOT

**ALDORA/ARCH STYLE**

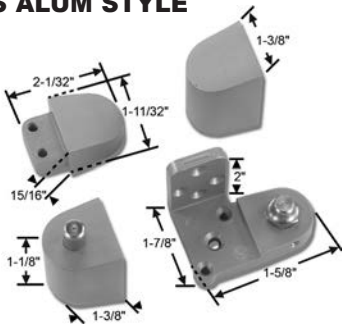


Right Hand Shown

Part #	Application	Hand	Finish
19-406LH	1/8" Recessed Door	LH	Aluminum
19-406RH	1/8" Recessed Door	RH	Aluminum
19-406LHBZ	1/8" Recessed Door	LH	Bronze
19-406RHBZ	1/8" Recessed Door	RH	Bronze

Includes Screws

**US ALUM STYLE**

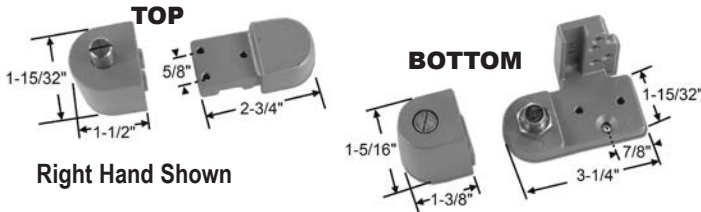


Left Hand Shown

Part #	Application	Hand	Finish
19-735LH	1/8" Recessed Door	LH	Aluminum
19-735RH	1/8" Recessed Door	RH	Aluminum
19-735LHBZ	1/8" Recessed Door	LH	Bronze
19-735RHBZ	1/8" Recessed Door	RH	Bronze

Includes Screws

**KAWNEER STYLE**

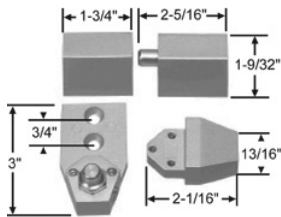


Right Hand Shown

Part #	Application	Description	Hand	Finish
19-424T	1/8" Recessed Door	Top	-	Aluminum
19-424TBZ	1/8" Recessed Door	Top	-	Bronze
19-424LH	1/8" Recessed Door	Bottom	LH	Aluminum
19-424RH	1/8" Recessed Door	Bottom	RH	Aluminum
19-424LHBZ	1/8" Recessed Door	Bottom	LH	Bronze
19-424RHBZ	1/8" Recessed Door	Bottom	RH	Bronze

Includes Screws

**KAWNEER/BESAM STYLE**

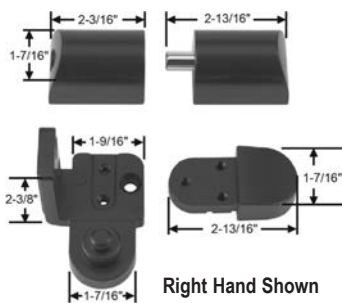


Non-Handed

Part #	Application	Hand	Finish
19-737	1/8" Recessed Door	Non-Handed	Aluminum
19-737BZ	1/8" Recessed Door	Non-Handed	Bronze
19-258	For Flush Face Frame	Non-Handed	Aluminum
19-258BZ	For Flush Face Frame	Non-Handed	Bronze

Includes Screws

**OFFSET ALUMINUM PIVOT**



Right Hand Shown

Part #	Hand	Finish
19-612RH	Shown	Aluminum
19-612LH	Opposite	Aluminum
19-612RHBZ	Shown	Bronze
19-612LHBZ	Opposite	Bronze

YKK

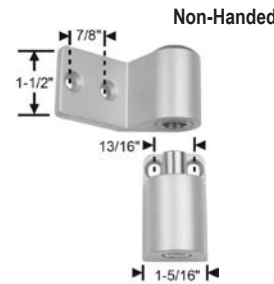
**INTERMEDIATE ALUMINUM PIVOT**



Non-Handed

Part #	Finish
19-404	Bronze
19-404AL	Aluminum

Non-Handed  
ARCH ALUMINUM



Non-Handed

Part #	Finish
19-407	Bronze
19-407AL	Aluminum

Non-Handed  
KAWNEER

**ADJUSTABLE DOOR PIVOT SET**



Part Number	Finish	Hand
19-1096	Clear	Shown
19-1096BZ	Bronze	Shown
19-1097	Clear	Opposite
19-1097BZ	Bronze	Opposite

REGENT/ TUBELITE

STAINLESS STEEL BUTT HINGES



SPECIFICATIONS

- 4-1/2" x 4"
- Square Corner
- Ball Bearing
- Non Removable Pin
- Button Tip
- Packed & Sold in Pairs

Part #	Finish
8-474SS	Brushed Chrome

DELUXE HINGE KIT



KIT CONTAINS

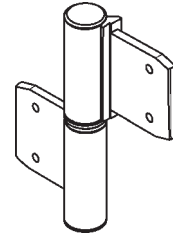
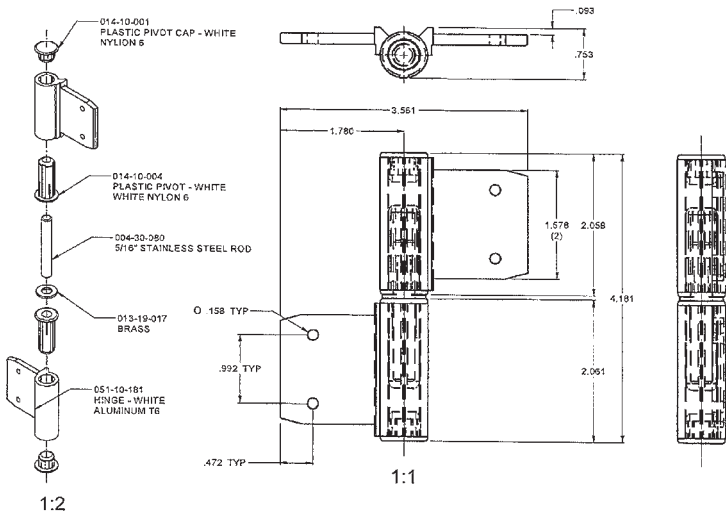
- (2) Roto Pin Hinges
- (12) One-Way Screws
- (4) Cover strips
- (1) Allen Wrench for vertical adjustment
- (2) 1/8" shims for Flush Door Application
- (1) Instruction Sheet

Deluxe Hinge Kits are the ideal choice for multiple application door solutions, when existing hardware fails. A quick and easy fix for any compromised opening.

Part #	Finish
19-574	Aluminum
19-574BZ	Bronze

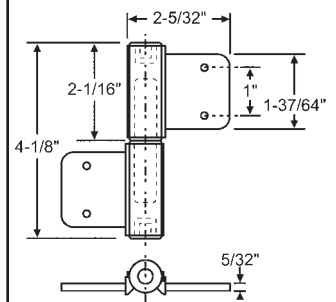
SPECIFICATIONS

- For commercial doors up to 500 lbs.
- Non handed full surface applications
- Made from high-tensile aluminum alloy
- Self-lubricating pin rotates on anti-friction bearings
- Hinges securely fastened with tamper proof screws
- Vertical adjustment screw
- Weather resistant
- Doors easily serviced without removal of hinge pin, lift off
- Packed and sold in pairs



Part #	Finish	Hand
56-141RH	Mill	Shown
56-141LH	Mill	Opposite
56-141RHW	White	Shown
56-141LHW	White	Opposite
56-141RHBZ	Bronze	Shown
56-141LHBZ	Bronze	Opposite

TRACO/SECURITY



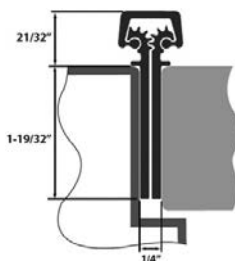
Part #	Hand
56-145LHW	Shown
56-145RHW	Opposite

White  
TRACO/SECURITY

CONTINUOUS HINGES

- Available in full mortise and surface mount
- 6063 T6 Aluminum alloy, with interlocking extrusions
- Non-handed design
- 83" length
- Standard duty with 16 thrust type self-lubricating concealed bearings per hinge
- 200 lb. max weight capacity
- High degree of security
- Anodized aluminum after machining
- Through bolt and machine screws fixing
- Template hole patterns
- Minimum 5 Hinges Required or Combination

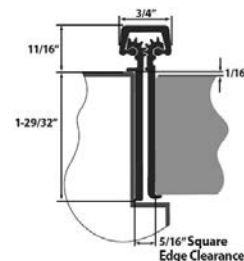
Full Mortise Type



FEATURES

- Full mortise type
- Flush mount
- Each hinge leaf has an alignment stop
- 1/4" clearance between door and frame

Part #	Finish
8-640	Aluminum
8-640BZ	Bronze

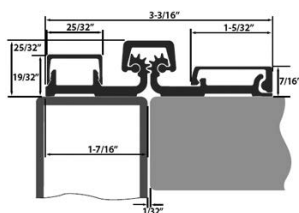


FEATURES

- Full mortise type
- 1/16" door offset
- Door edge guard
- 5/16" clearance between door and frame

Part #	Finish
8-641	Aluminum
8-641BZ	Bronze

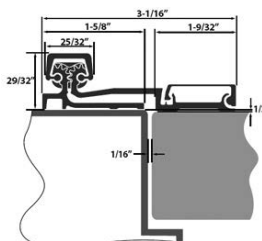
Full Surface Type



FEATURES

- Full surface continuous hinge
- For narrow (limited) frame applications
- Tamper resistant removable door leaf cover
- 1/32" clearance between door and frame

Part #	Finish
8-639	Aluminum
8-639BZ	Bronze

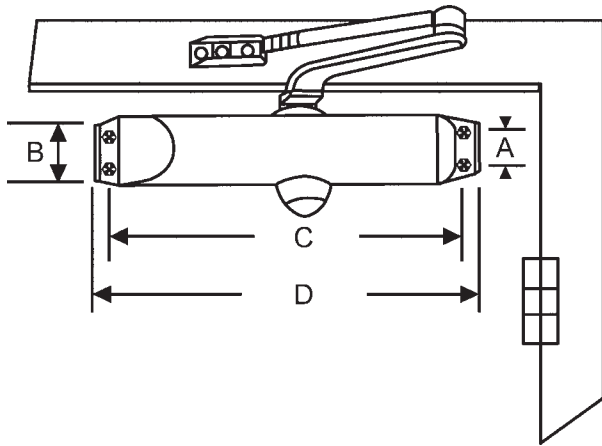


FEATURES

- Full surface continuous hinge
- 1/32" door panel offset
- Tamper resistant removable door leaf cover
- 1/16" clearance between door and frame

Part #	Finish
8-638	Aluminum
8-638BZ	Bronze

DOOR CLOSERS



FEATURES

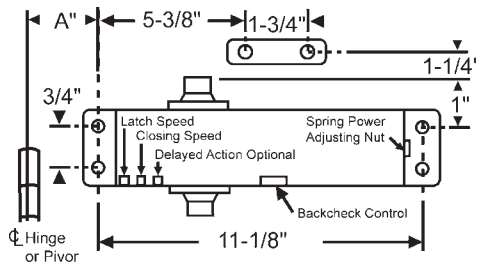
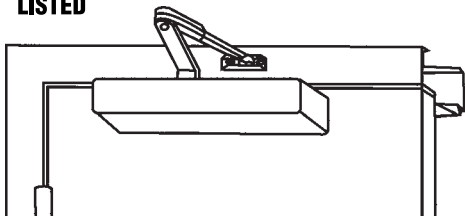
- Surface mounted interior and exterior
- Size 3 is used on 3 ft. Wide interior door or 2-1/2 ft. Wide exterior door
- Size 4 is used on 4 ft. Wide interior door or 3 ft. Wide exterior door
- Non-handed
- Permanent lubricating hydraulic fluid
- Easy, smooth action
- Housing made of non-corroding aluminum
- Narrow design is perfect for aluminum, glass, wood and other modern doors

Part #	Size	A	B	C	D	Finish
18-70	#3	3/4"	1-3/4"	8-3/16"	8-15/16"	Aluminum (Silver)
18-72	#3	3/4"	1-3/4"	8-3/16"	8-15/16"	Bronze (Gold)
18-74	#3	3/4"	1-3/4"	8-3/16"	8-15/16"	Duranodic (Dk. Brown)
18-68	#4	3/4"	1-3/4"	9-1/16"	9-13/16"	Aluminum (Silver)
18-69	#4	3/4"	1-3/4"	9-1/16"	9-13/16"	Bronze (Gold)
18-73	#4	3/4"	1-3/4"	9-1/16"	9-13/16"	Duranodic (Dk. Brown)

Dimensions for Closers with Backcheck Feature

Part #	Size	A	B	C	D	Finish
18-70BC	#3	3/4"	1-3/4"	8-3/16"	8-15/16"	Aluminum (Silver)
18-68BC	#4	3/4"	1-3/4"	9-1/16"	9-13/16"	Aluminum (Silver)

POWER ADJUSTABLE CLOSER WITH BACK CHECK OR DELAYED ACTION

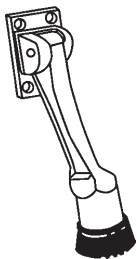


Opening	Dim. "A"
To 120°	7-3/32"
120° - 180°	3-15/16"

Part #	Finish
18-88	Aluminum (Silver)

**ANSI GRADE 1  
A - 156.4 STANDARDS  
APPLICABLE**

DOOR STOPS



Part #	Color
19-136	Brass
19-137	Aluminum

5" Drop Down Door Stop



Part #	Finish
19-135	Brass
19-138	Aluminum
19-135PB	Bright Brass

**19-135T**

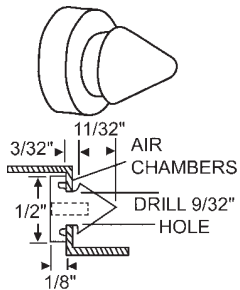
Screw type tip only.  
Black



**19-267**

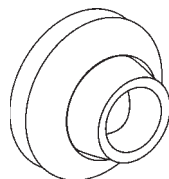
Heavy Duty Floor Mount Door Stop. Cast Aluminum. 3" Projector with 2-1/8" Base Plate. 3 Hole Surface Mount. Furnished with Screws

DOOR SILENCER



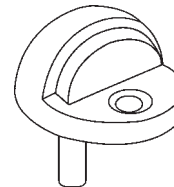
Part #	Finish
19-134	Gray

Rubber Grommet



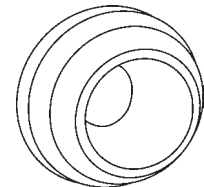
Part #	Finish
19-140	Stainless Brushed
19-140BZ	Dark Bronze
19-140AB	Antique Brass
19-140B	Brass

Screw mount, 2-1/2" diameter with gray vinyl bumper, concealed screw mount. Concave face to fit interior lock button. Furnished with anchor and screw.



Part #	Finish
19-141	Satin Aluminum
19-141BC	Brushed Chrome

Zinc Die Cast, Low Profile Door Stop. 1-3/4" Base, 1" Height, 1/8" Clearance.



Part #	Color
19-139W	White
19-139	Gray

Adhesive backed, 1-7/8" diameter, gray rubber, peel-off label, pressure sensitive backed.

**EXIT DEVICES**



**SURFACE VERTICAL ROD**

Our Surface Vertical Rod panic device is the perfect choice for double doors without mullions. Reversible for right or left hand doors, they are ideal for new construction or renovations. Our panics can be used in conjunction with any of our exit device trims.

Grade - ANSI A156.3 Grade 2

Part #	Finish
19-732	Aluminum
19-732BZ	Bronze
19-732SS	Stainless Steel

**FIRE RATED (3 HOURS)**

Part #	Finish
19-733	Aluminum
19-733SS	Stainless Steel

**FEATURES**

- MATERIAL: Extruded anodized aluminum push bar, stainless steel springs
- LATCH: Top Pullman type, Bottom bolt assembly
- DOOR HEIGHT: 7' standard
- BACKSET: 2-3/4" on 4-1/2" minimum stile width -if less than 4-1/2" backset becomes half of the exposed stile width
- STRIKE: Top-surface mounted, Bottom-flat mortise or into threshold, vertical/rim application use DBLST double dr. strike
- PROJECTION: 2-1/2" - 1-7/8" dogged

- STILE: 4-1/2" minimum
- HANDING: Reversible, non-handed
- DOOR THICKNESS: 1-3/4" standard
- DOOR WIDTH: 36", can be field sized to 30"
- MOUNTING HEIGHT: Recommended installation at 41" from finished floor to center line of push rail.
- FASTENERS: Furnished with sheet metal and machine screws
- CYLINDER NOT INCLUDED
- DOGGING: 1/2 turn hex key

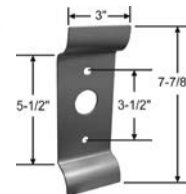
**Exit Device Trims**

 <b>Night Latch Handle Set</b> Part #   Finish 19-752   Aluminum	 <b>Dummy Handle Set</b> Part #   Finish 19-753   Aluminum	 <b>Entry Handle Set</b> Part #   Description 19-1038AL   w/Cylinder 19-1035AL   no Cylinder Aluminum Finish	 <b>Exit Only Plate</b> Part #   Finish 19-751   Aluminum
 <b>Entry Lever</b> Part #   Finish 19-604AL   Aluminum 19-604BZ   Bronze	 <b>Storeroom Lever</b> Part #   Finish 19-619AL   Aluminum	 <b>Passage Lever</b> Part #   Finish 19-618AL   Aluminum	 <b>Entry Ball</b> Part #   Finish 19-1034AL   Aluminum



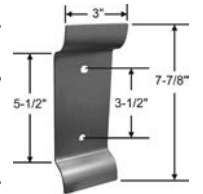
**Rim Cylinder**

Part #	Finish
19-568	Aluminum
19-568BZ	Bronze



**Pull Trim**

Part #	Finish
19-749	Aluminum



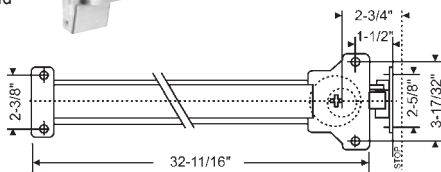
**Dummy Pull Trim**

Part #	Finish
19-750	Aluminum

**TOUCH BAR**

"Touch bar" style exit devices are suitable for all doors (aluminum, hollow metal, or wood) where there is no projection on the face. Manufactured of extruded anodized aluminum, the touch bar is durable enough for the most demanding applications. Rim cylinder is not included and needs to be ordered separately.

Grade - ANSI A156.3 Grade 2.



Part #	Finish
19-730	Aluminum
19-730BZ	Bronze
19-730SS	Stainless Steel

**FIRE RATED (3 HOURS)**

Part #	Finish
19-731	Aluminum
19-731SS	Stainless Steel

**FEATURES**

- MATERIAL: Extruded anodized aluminum push bar, stainless steel springs
- LATCH: Stainless Steel, 3/4" throw - 5/8" deadlatch
- BACKSET: 2-3/4" Covers 161 prep, includes latch & Strike filler plates
- STRIKE: Surface mounted for 5/8" stop with shim
- PROJECTION: 2-1/2" - 1-7/8" dogged
- STILE: 4-1/4" minimum
- HANDING: Reversible, non-handed
- DOOR THICKNESS: 1-3/4" standard
- DOOR WIDTH: 36", can be field sized to 30"
- MOUNTING HEIGHT: Recommended installation at 41" from finished floor to center line of push rail.
- FASTENERS: Furnished with sheet metal and machine screws
- DOGGING: 1/2 turn hex key
- CYLINDER NOT INCLUDED (order separately)

**Exit Device Trims**

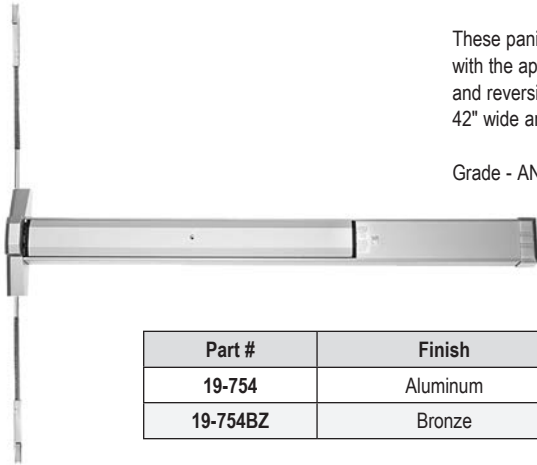
 <b>Rim Cylinder</b> Part #   Finish 19-568   Aluminum 19-568BZ   Bronze	 <b>Pull Trim</b> Part #   Finish 19-749   Aluminum	 <b>Dummy Pull Trim</b> Part #   Finish 19-750   Aluminum
--	--	--

 <b>Entry Ball</b> Part #   Finish 19-1034AL   Aluminum	 <b>Entry Lever</b> Part #   Finish 19-604AL   Aluminum	 <b>Storeroom Lever</b> Part #   Finish 19-619AL   Aluminum	 <b>Passage Lever</b> Part #   Finish 19-618AL   Aluminum
 <b>Night Latch Handle Set</b> Part #   Finish 19-752   Aluminum	 <b>Dummy Handle Set</b> Part #   Finish 19-753   Aluminum	 <b>Entry Handle Set</b> Part #   Description 19-1038AL   w/Cylinder 19-1035AL   no Cylinder Aluminum Finish	 <b>Exit Only Plate</b> Part #   Finish 19-751   Aluminum



NARROW STILE EXIT DEVICES

CONCEALED VERTICAL ROD



These panic devices blend the utility of a vertical rod application with the appearance of a traditional panic device. It is non-handed and reversible with a contoured cross bar that will fit doors up to 42" wide and can be field sized to accommodate narrow doors.

Grade - ANSI A156.3 Grade 2

Part #	Finish
19-754	Aluminum
19-754BZ	Bronze

FEATURES

- MATERIAL: Contoured anodized aluminum cross bar, stainless steel springs
- LATCH CASE: 1-1/4" wide x 7-1/4" long
- DOOR HEIGHT: 7" standard
- BACKSET: Center template on narrow door stile
- STRIKE: Top-flat mortise, Bottom-flat mortise or directly through threshold
- PROJECTION: 4-3/4"
- STILE: 1-7/8" minimum
- HANDING: Reversible, non-handed

- DOOR THICKNESS: 1-3/4" standard
- DOOR WIDTH: Up to 42"
- MOUNTING HEIGHT: 35-11/16" from floor to center line of the bottom latch case mounting stud
- FASTENERS: Furnished with sheet metal, machine screws and shoulder mounting studs with set screws
- CYLINDER: Accepts mortise type
- DOGGING: Inside- push up dog pin and rotate with screwdriver, Outside- by key cylinder

Exit Device Trims



Brass Mortise Cylinder

Part #	Finish
19-755	Aluminum
19-755BZ	Bronze

Zinc Mortise Cylinder

Part #	Finish
19-410	Aluminum
19-410BZ	Bronze



Cylinder Mounting Trim

Part #	Finish
19-756	Aluminum

\*For exterior key application must order 19-756/19-756BZ. Insert mortise cylinder in mounting trim and secure with locking ring nut, included.

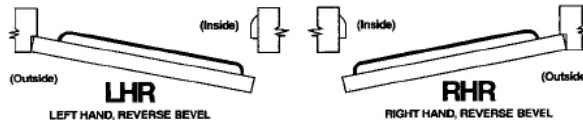
TOUCH BAR



These "crash bar" style exit devices are suitable for narrow, medium or wide stile aluminum and hollow metal doors. Contoured cross bar that will fit doors up to 42" wide and can be field sized to accommodate narrow doors.

Grade - ANSI A156.3 Grade 2

Part #	Finish	Hand
19-747RH	Aluminum	Right
19-747LH	Aluminum	Left
19-748RHBZ	Bronze	Right
19-748LHBZ	Bronze	Left



\*For Left Hand Reverse Door; order RH device  
\*For Right Hand Reverse Door; order LH device

FEATURES

- MATERIAL: Contoured anodized aluminum cross bar, stainless steel springs
- LATCH CASE: 1-1/4" wide x 7-1/4" long with 1/2" stainless throw
- BACKSET: 1-5/32" from edge of door to center line of device
- STRIKE: Rim mounted roller strike with shim
- PROJECTION: 4-3/4"
- STILE: 1-7/8" minimum
- HANDING: Handed, please specify RH or LH
- DOOR THICKNESS: 1-3/4" standard

- DOOR WIDTH: Up to 42"
- MOUNTING HEIGHT: Recommended installation at 39-13/32" from floor to center line of latch or strike assemblies
- FASTENERS: Furnished with sheet metal, machine screws and shoulder mounting studs with set screws
- CYLINDER: Accepts rim cylinder only
- DOGGING: Inside-push up dog pin rotate with screwdriver, Outside-by key cylinder

Exit Device Trims



Rim Cylinder

Part #	Finish
19-568	Aluminum
19-568BZ	Bronze



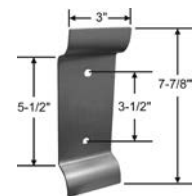
Exit Only Plate

Part #	Finish
19-751	Aluminum



Pull Trim

Part #	Finish
19-749	Aluminum

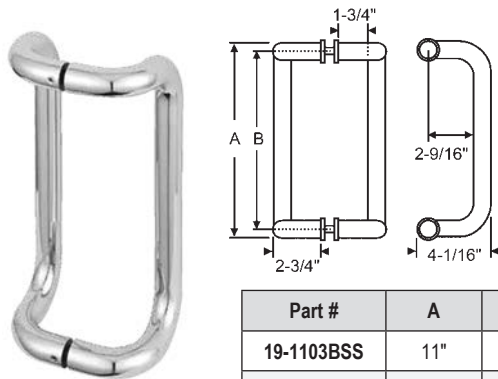


Dummy Pull Trim

Part #	Finish
19-750	Aluminum

\*All trim applications for new door or existing hole less than 1-3/16"

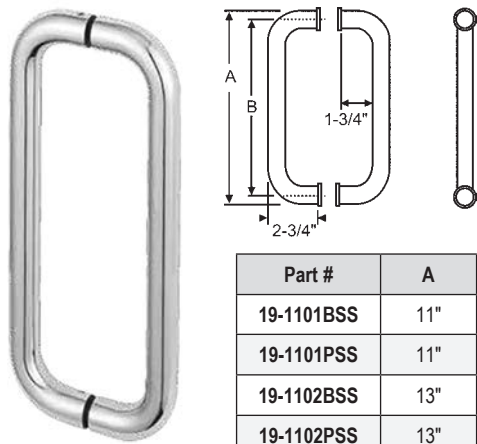
DOOR PULLS



Part #	A	B	Finish
19-1103BSS	11"	10"	Brushed Stainless
19-1103PSS	11"	10"	Polished Stainless
19-1104BSS	13"	12"	Brushed Stainless
19-1104PSS	13"	12"	Polished Stainless

- Offset Back to Back Tempered Glass Mount Commercial
- Material Specifications: Stainless Steel
- Glass Thickness: 3/8" to 3/4"
- Construction: 1" (25mm) Diameter
- Offset: 3"
- Glass Fabrication: 2 X 5/8" diameter holes - 10" CTC or 12" CTC

- Includes:**
- 2 Through bolts for Glass mounting
  - 4 Metal Washers - 1-1/4" diameter with rubber gaskets

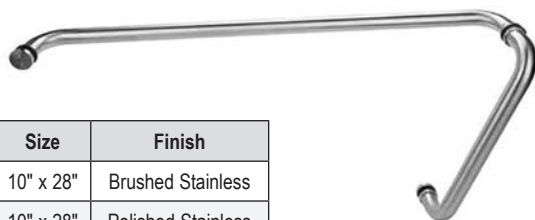


Part #	A	B	Finish
19-1101BSS	11"	10"	Brushed Stainless
19-1101PSS	11"	10"	Polished Stainless
19-1102BSS	13"	12"	Brushed Stainless
19-1102PSS	13"	12"	Polished Stainless

- In-line Back to Back Tempered Glass Mount Commercial
- Pull Sizes: 10" or 12"
- Material Specifications: Stainless Steel
- Application: Heavy Glass Doors
- Glass Thickness: 3/8" to 3/4"
- Construction: 1" (25mm) Diameter
- Glass Fabrication: 2 X 5/8" diameter holes - 10" CTC or 12" CTC

- Includes:**
- 2 Through bolts for Glass mounting
  - 4 Metal Washers - 1-1/4" diameter with rubber gaskets

Rockwell Glass Mounted Straight Combination Push and Pull Handles



Part #	Size	Finish
19-1106BSS	10" x 28"	Brushed Stainless
19-1106PSS	10" x 28"	Polished Stainless
19-1107BSS	12" x 28"	Brushed Stainless
19-1107PSS	12" x 28"	Polished Stainless

Rockwell Glass Mount Straight Combination Pulls are for Use with 3/8" to 3/4" (10 - 19 mm) Glass thickness

- Fits 3/8" - 3/4" (10 - 19 mm) Glass
- Diameter: 1" (25mm)
- Material: Stainless Steel or Brass Tubing
- Glass Fabrication: 3-5/8" (16 mm)
- Diameter Holes: 28" (711 mm CTC)

\*\* TEMPERED GLASS Use Only

- Includes:**
- 2 Through bolts for Glass mounting
  - 4 Metal Washers - 1-1/4" diameter with rubber gaskets

Rockwell Dustproof Keeper with Mounting Plate

Part #	Finish
19-1116AL	Aluminum
19-1116B	Black
19-1116BSS	Brushed Stainless
19-1116PSS	Polished Stainless



Rockwell Dustproof Keeper with Mounting Plate available in four Finishes in Locking models. Accepts 5/8" (16 mm) Diameter Plunger Bolt

- Fits 5/8" (16 mm) Plunger from these or similar devices
- Function: Locking
- Material: Stainless Steel

- Includes:**
- 2 Flat Head Screws
  - (Requires a 1" diameter hole drilled 2" into door for installation)