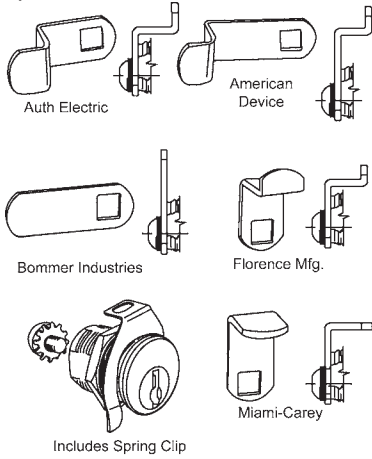


MULTI-CAM MAIL BOX LOCK KITS

**97-75**

For Interior Mail Boxes  
Bright Nickel Finish

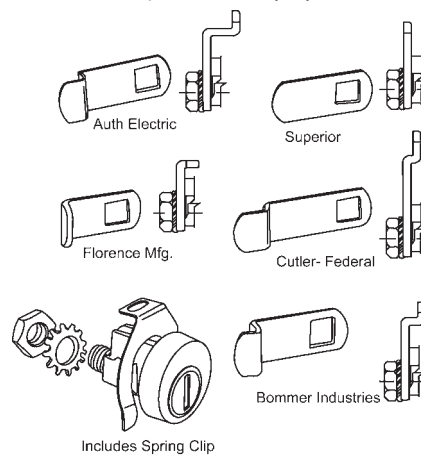
Nut mounted lock meets specifications established by the U.S. Postal Service. Counter clockwise cam turn to open. Furnished with two keys, five different cams shown below, cam screw, mounting nut and instructions. Assemble with cam that matches lock. Keyway NA 14



**97-17**

For Outside Mail Boxes  
Bright Nickel Finish

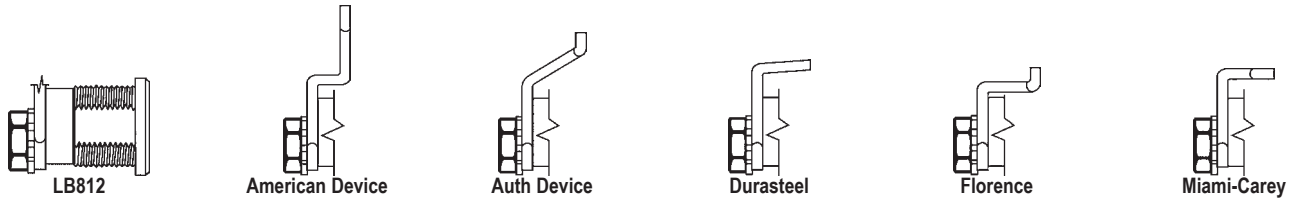
Keyway Dust Shutter protects mechanism from the elements. Lock has dual slots for mounting indoor using spring clip. Clockwise cam turn to open. Furnished with three keys, five different cams shown below, nut, lock washer, spring clip and instructions. Assemble with cam that matches present lock. Keyway NA 14



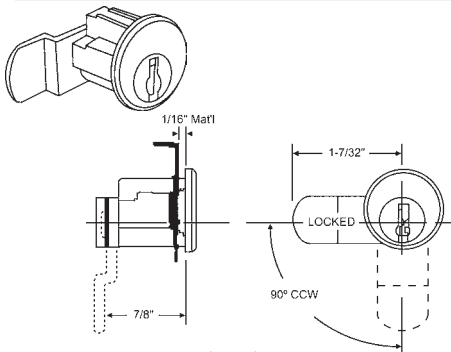
**97-28**

Replacement for Hudson #PT812

Multi-Cam Mail Box Lock Kit a suitable replacement for Hudson #PT812. Hex nut mounted. Meets U.S. Postal Service specifications. 90° CCW cam rotation. Key removable in locked position only. Furnished with 3 keys, 5 cams, and all necessary mounting hardware. Keyway HL 1 - Nickel finish

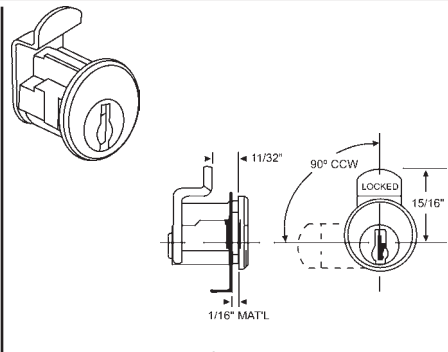


FIXED CAM MAIL BOX LOCKS



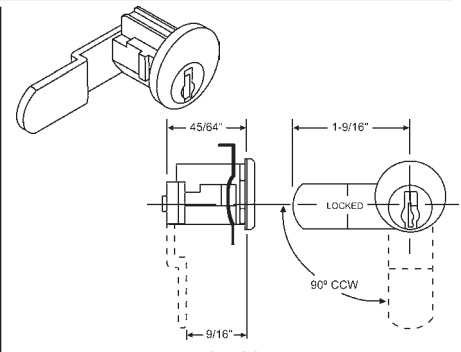
**97-76**

**Bommer.** Bright Chrome  
Locked Cam Position - Left. Keyway NA14



**97-77**

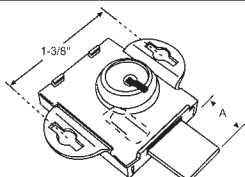
**Florence Mfg.** Bright Chrome.  
Locked Cam Position - Up. Keyway NA14



**97-20**

**Cutler Federal.** Bright Chrome  
Locked Cam Position - Down. Keyway NA12

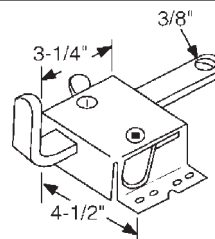
FLAT MAILBOX LOCKS



Part #	"A"
97-18	1/4"
97-19	1/2"

Replaces: Eagle #2616 1/4C, Ilco #4070A Fits: Auth, United, Florence. Bright Brass Finish Furnished with Two Keys.

GARAGE DOOR HANDLES



**2529**

Snap Lock