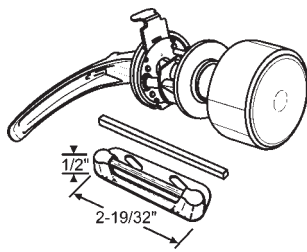


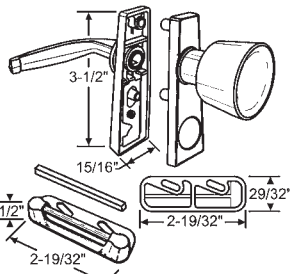
STORM DOOR KNOB/PUSH PULL LATCH SETS



Tulip Knob Latch, Single Hole

Part #	Color
17-52	Aluminum

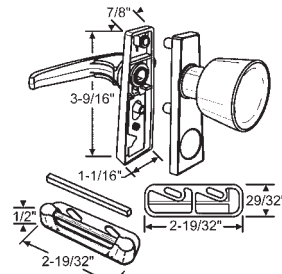
- Fits doors 1" - 1-1/4" thick
- Resilient strike
- Installs in single hole bore 1-1/4" diameter



Tulip Knob Latch

Part #	Color
17-59	Black
17-60	Aluminum

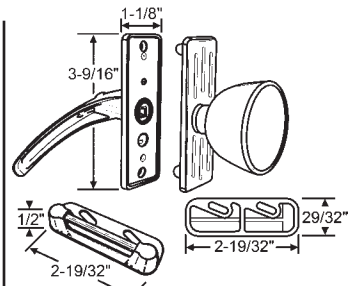
- Resilient strike
- 1-3/4" installation hole spacing
- Fits doors 1" - 1-1/4" thick



Tulip Knob Latch "No Lock Out" Feature

Part #	Color
17-61	Aluminum

- Solid strike
- 1-3/4" installation hole spacing
- "No Lock Out" feature prevents accidental lock out
- Fits doors 7/8" - 1-1/4" thick

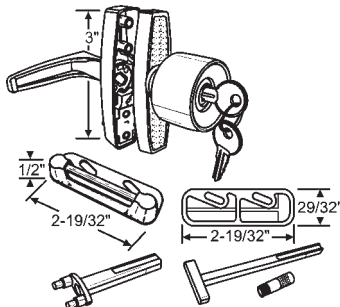


Tulip Knob Latch

Part #	Color
17-50	Aluminum
17-51	Black

- Resilient strike
- 3" installation hole spacing
- Fits doors 1" - 1-1/4" thick

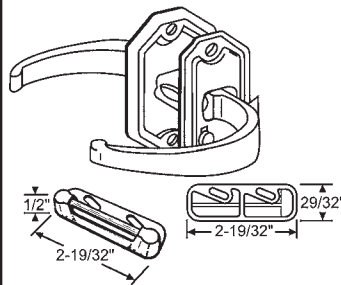
STORM DOOR PUSH BUTTON LATCH SET



Tulip Key-In-Knob Lock (3")

Part #	Color
900-7320	Aluminum

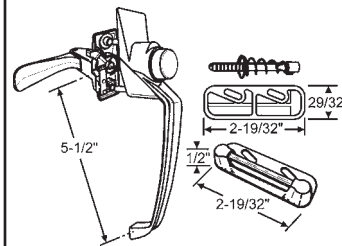
- Resilient strike
- 3" installation hole spacing
- Key lock for extra security
- Fits doors 7/8" - 1-3/8" thick



Push Pull Latch

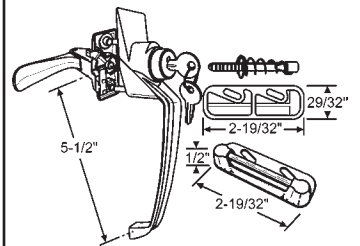
Part #	Color
17-67	Aluminum

- Popular for wood door applications.
- Resilient strike
- Fits Doors 1" - 1-1/4" Thick



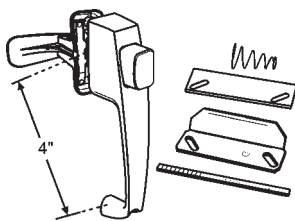
Part #	Color
17-65	Aluminum
17-66	Black

- Resilient strike
- 1-1/2" mounting hole spacing
- Fits doors 1" - 1-1/4" thick
- Tie down type
- No Key Lock



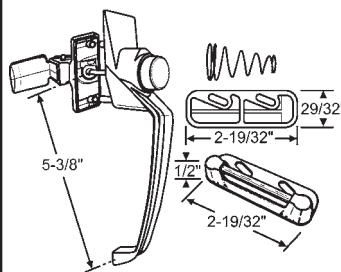
Part #	Color
17-66K	Black

- Resilient strike
- 1-1/2" mounting hole spacing
- Fits doors 1" - 1-1/4" thick
- Tie down type
- With Key Lock



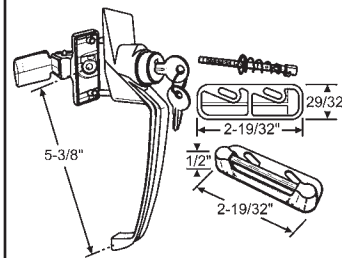
Part #	Color
17-58B	Black
17-58W	White

- Resilient strike
- 1-3/4" installation hole spacing
- Fits doors 1" - 1-1/4" thick
- Tie down type



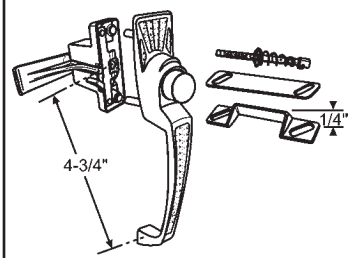
Part #	Color
17-82A	Aluminum
17-82	Black
17-82W	White

- Resilient strike
- 1-3/4" mounting hole spacing
- Fits doors 5/8" - 1-1/4" thick
- Tie down type
- No Key Lock



Part #	Color
17-82KB	Black

- Resilient strike
- 1-3/4" mounting hole spacing
- Fits doors 5/8" - 1-1/4" thick
- Tie down type
- With Key Lock



Part #	Color
17-73	Aluminum
17-72	Black

- Solid strike
- 1-3/4" installation hole spacing
- "No Lock Out" feature prevents accidental lock out
- Fits doors 5/8" - 1-1/4" thick

## STORM DOOR PUSH BUTTON LATCH SET



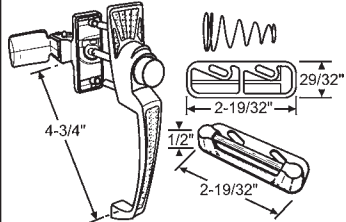
Part #	Color
17-83KB	Black

- Heavy duty, solid strike with resilient inside handle
- Button pin handle
- 1-3/4" mounting hole spacing
- Fits doors 7/8" - 1-1/4" thick
- Push button unit furnished w/calibrated metal spindle & spring
- Anti-lockout feature



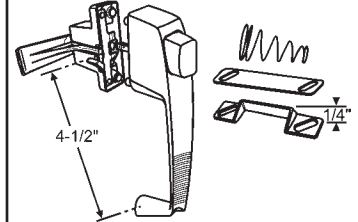
Part #	Color
17-83B	Black

- Heavy duty, solid strike with resilient inside handle
- Button pin handle
- 1-3/4" mounting hole spacing
- Fits doors 7/8" - 1-1/4" thick
- Push button unit furnished w/calibrated metal spindle & spring



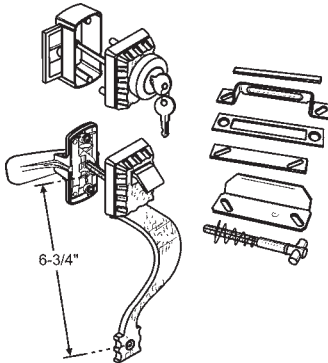
Part #	Color
17-53	Aluminum
17-54	Black

- Resilient strike
- 1-3/4" installation hole spacing
- Fits doors 1" - 1-1/4" thick



Part #	Color
900-7339	Aluminum
900-7339BL	Black
900-7339W	White

- Heavy Duty Push Button Latch
- Solid strike
  - 1-3/4" installation hole spacing
  - "No Lock Out" feature prevents accidental lock out
  - Fits doors 1" - 1-1/4" thick



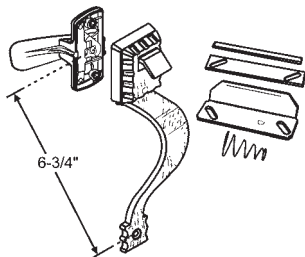
Push Button Set with Deadbolt

Part #	Color
900-13554K	Black

Deadbolt Only

Part #	Color
900-13554DB	Black

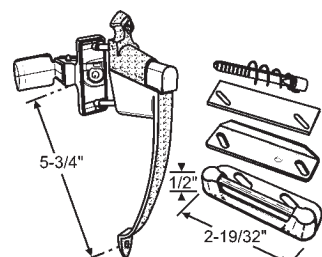
- Mounting hole center 1-3/4"
- Fits doors 1" - 1-1/4" Thick



Push Button Set Only

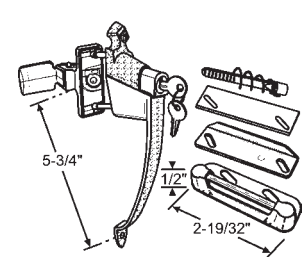
Part #	Color
900-13554	Black

Part #	Color
900-13554BR	Brass with Black Internal Latch



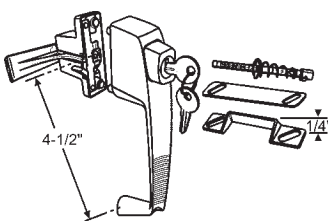
Part #	Color
17-181	Black

- Colonial Tie Down Push Button
- No Key Lock



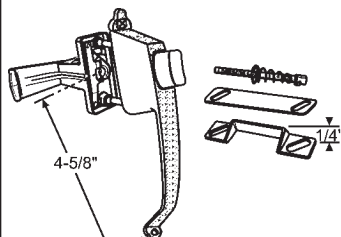
Part #	Color
17-181K	Black

- Colonial Tie Down Push Button
- With Key Lock



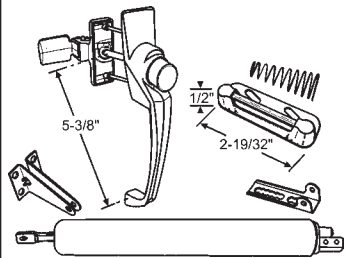
Part #	Color
900-7339KBL	Black

- Heavy Duty Push Button Latch
- Solid strike
  - 1-3/4" installation hole spacing
  - "No Lock Out" feature prevents accidental lock out
  - Furnished with 2 Brass Keys
  - Fits Doors 1" - 1-1/4" Thick



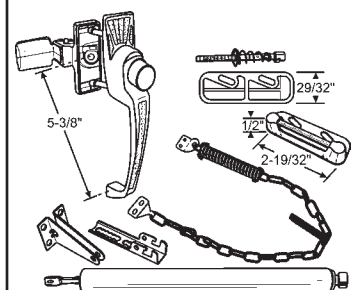
Part #	Color
900-14570	Black

- Colonial Heavy Duty Push Button Latch
- Solid strike
  - 1-3/4" installation hole spacing
  - "No Lock Out" feature prevents accidental lock out
  - Fits Doors 1" - 1-1/4" Thick



Part #	Color
19-709B	Black
19-709AL	Aluminum
19-709W	White

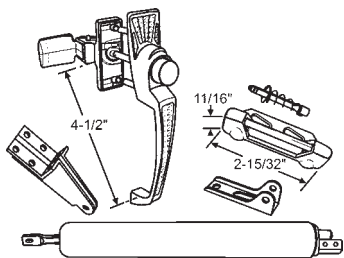
Storm Door Hardware Kit.  
Does Not Include Chain



Part #	Color
19-199B	Black

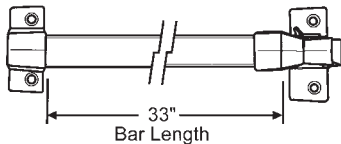
Storm Door Hardware Kit with Chain  
Steel Tube

STORM DOOR PUSH BUTTON LATCH SET



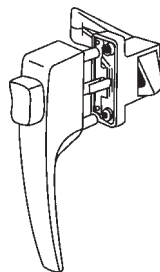
Part #	Color
19-376W	White
19-376BR	Bronze

Corrosion Resistant. Ideal for Coastal Applications. Includes Pneumatic Door Closer, Heavy Duty Plastic Jamb Bracket, Push-Button Latch with 1-3/4" Installation Hole Spacing, Screws, and Instructions



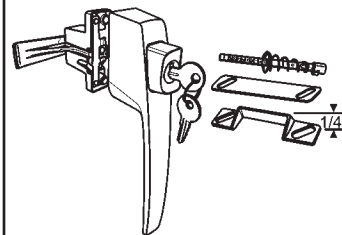
Part #	Color
17-301-3	White
17-301-10	Black

Touch Bar Latch. Fits up to 36"



Part #	Color
17-70	Aluminum
17-70W	White
17-71	Black

- Solid strike
- 1-3/4" installation hole spacing
- "No Lock Out" feature prevents accidental lock out
- Fits doors 5/8" - 1-1/4" thick
- No Key Lock

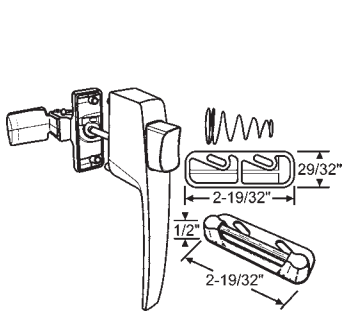


Part #	Color
17-70K	Aluminum
17-71K	Black

- Solid strike
- 1-3/4" installation hole spacing
- "No Lock Out" feature prevents accidental lock out
- Fits doors 5/8" - 1-1/4" thick
- With Key Lock

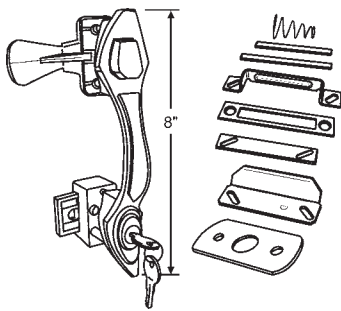
VP PULL HANDLE SET

LOCKING HANDLE SET



Part #	Color
17-56	Black
17-55	Aluminum

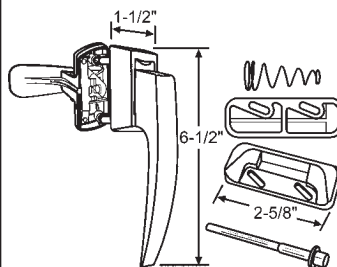
- Resilient strike
- 1-3/4" installation hole spacing
- Fits doors 1" - 1-1/4" thick



Part #	Color
17-127	Brass Finish
17-127B	Black

Quincy Push Button Latch Set

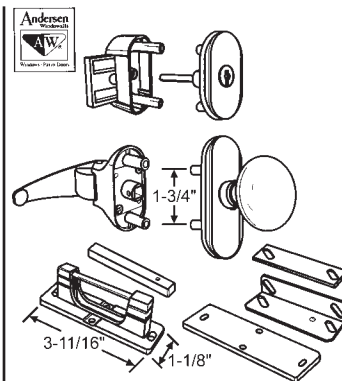
- Elegant Styled Handle with Interior Deadbolt
- "No Lock Out" Feature
- 1-3/4" Hole Spacing
- Installs in six 5/16" Diameter Holes
- Handle: 8"
- Reversible



Part #	Color
17-191-1	Black
17-191-3	White

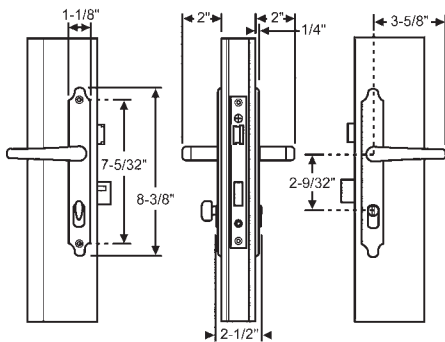
1-3/4" Hole Spacing. Operates with a single natural smooth action.

**IDEAL**



Part Number	Exterior Finish	Interior Finish
900-22536	Black	White
900-22536PB	Polished Brass	White
900-22536PB/AD	Polished Brass	Almond

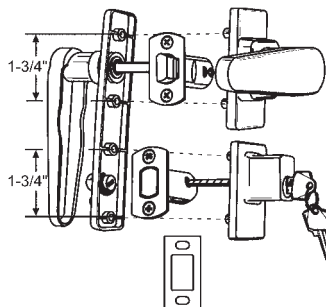
LEVER LATCH SETS



Part #	Finish
19-466	Polished Brass
19-466B	Black
19-466SNK	Satin Nickel
19-466W	White

Complete Handle Set with Mortise Lock, Single Deadbolt & Strike

**LARSON**



Part #	Interior	Exterior
17-128SCH	Satin Chrome	Satin Chrome

Storm Door Lever Set w/ Key & Deadbolt  
1-3/4" Hole Centers

**TEMO**

LEVER LATCH SETS

Beautifully Designed, Classically Styled Lever Handle with an Elegantly Sculptured Escutcheon



Lever Latch Set with Keyed Deadbolt

Part #	Color
17-25BK	Black
17-25WK	White
17-25BRSK	Brass



Lever Latch Only

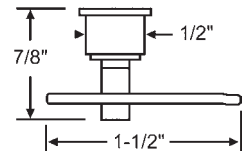
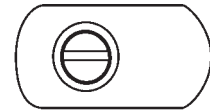
Part #	Color
17-25B	Black
17-25W	White
17-25BRS	Brass
17-25SV	Silver

- Positive Key Locking Deadbolt for Security • Strong Leveling Return Spring Eliminates Lever Droop • Fits Doors 1" to 2-1/4" Thick
- 1-3/4" Hole Spacing - Upper and Lower Trims • Install in 5/16" Diameter Holes • For Doors with a Stile Greater Than 2" • Escutcheon Width 1-5/8" • Escutcheon Length: Upper 2-3/4", Lower 4-7/16" • Lever Projection 2-1/8" (From Door) • Backset - Variable with Several Strike Options Included • Lever Length from Center of Hub: 4" • Non-Handed, Designed to Complement Both Right and Left Hand Doors • Escutcheon Plate Included for Use with Inside Latch



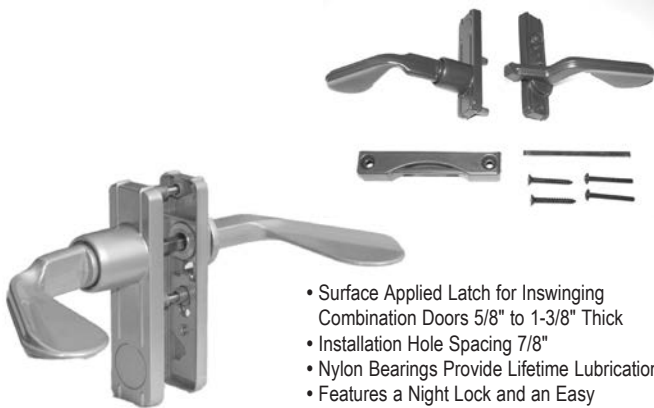
The newly redesigned Model 17-155 is a solid brass screen or storm door latch set. The lock case, escutcheon plate and strike are hot-forged and precision machined for smooth operation. The spring mechanism is stainless steel. The lever and threaded spindle are hot-forged in one piece for added strength, and the knob is turned from brass bar stock. The latch set is supplied with an angle strike and a rim strike. Backset is 1-9/16". The threaded spindle allows easy adjustment for door thicknesses of 1-1/8" to 1-3/4". Thinner doors can be accommodated by cutting the spindle. Dimensions: Case 2-1/4" X 2" Back Plate 1-1/4" X 4" Knob 1-5/8" diameter Overall Depth: Lever side 1-7/16" Knob side 1-1/2"

Part #	Finish
17-155	Polished Lacquered
17-155SNK	Satin Nickel



19-319

The Model 19-319 cam fastener is a solid brass assembly designed to fasten wood storm or screen inserts into a combination door or other frame. The standard finish is unlacquered.



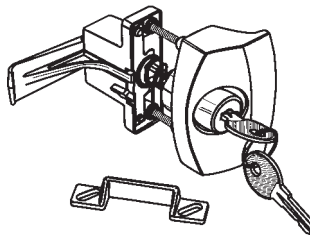
Inswing Door Latch Set

Part #	Color
900-7323	Aluminum
900-7323B	Black
900-7323W	White

- Surface Applied Latch for Inswinging Combination Doors 5/8" to 1-3/8" Thick
- Installation Hole Spacing 7/8"
- Nylon Bearings Provide Lifetime Lubrication
- Features a Night Lock and an Easy Latching Resilient Strike
- Reversible for Right and Left Hand Doors and Fits Stiles as Narrow as 1-3/8"
- Installs in Three 1/4" Holes
- Inside Lever Projection is 3"
- Outside Lever Projection is 3-3/4"
- Mounts 1-3/4" Center to Center

IDEAL

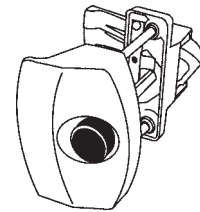
TRAILER LATCH SETS



Part #	Color
17-21KA	Aluminum

Low Profile Trailer Lock Set with Key (Entrance)

- For Outswinging Wood or Metal Doors
- Fits 3/4" to 1-1/4" Doors
- Installation Hole Spacing 1-3/4"
- Installs in Two 5/16" Holes and One 7/8" Hole
- Use Wherever a Keyed Locking Unit is Required
- "No Lock Out" Feature

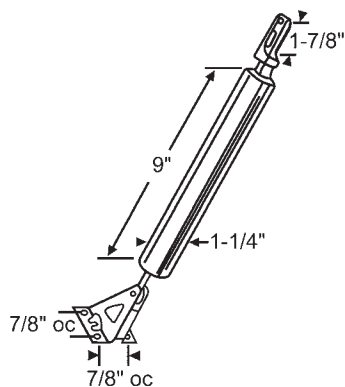


Part #	Color
17-21B	Black

Low Profile Trailer Lock Set with Push Button (Privacy)

- For Outswinging Wood or Metal Doors
- Fits 1/2" to 1-1/4" Doors
- Installation Hole Spacing 1-3/4"
- Installs in Three 5/16" Holes
- Emergency Entrance can be Made from the Outside by Using a Coin or Screwdriver
- "No Lock Out" Feature

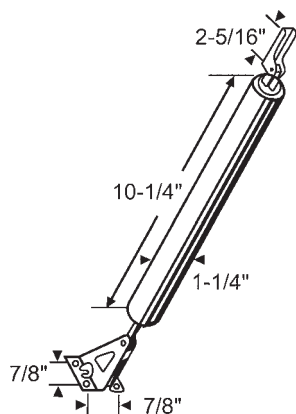
STORM DOOR CLOSERS



Part #	Color
18-52	Aluminum
18-53	Black
18-52W	White

**Pneumatic Door Closer**

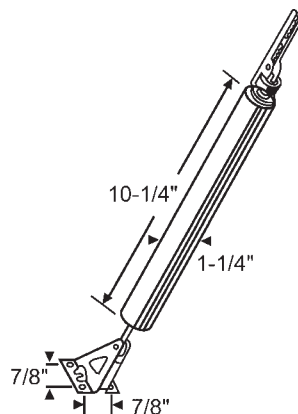
- For Light Weight Screen Doors
- For Wood or Metal Doors
- For Outswinging Doors
- Full 90° Opening
- Adjustable Closing Speed
- Factory Lubricated



Part #	Color
18-63	Aluminum
18-62	Black
18-62W	White

**Economy Air Closer**

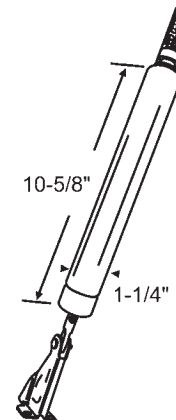
- For Doors up to 1-1/4" Thick
- Adjustable Closing Power



Part #	Color
18-65	Aluminum
18-64	Black
18-64W	White

**Silent Action Door Closer**

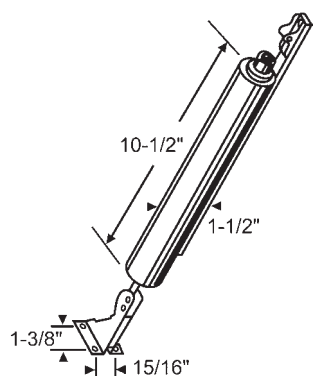
- For Doors up to 1-1/4" Thick
- Permanently Lubricated
- Adjustable Latching Power
- Adapter Plates to Cover Old Holes



Part #	Color
18-71	Aluminum
18-71B	Black

**Pneumatic Door Closer**

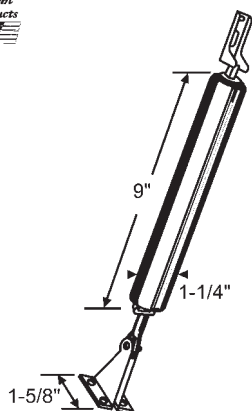
- For Doors up to 1-1/4" Thick
- Temperature Changes Do Not Affect Closing Action
- Permanently Lubricated
- Automatic Hold Open/Easy Close Feature



Part #	Color
18-58	Aluminum
18-57	Black

**"Smooth Air" Heavy Duty Door Closer**

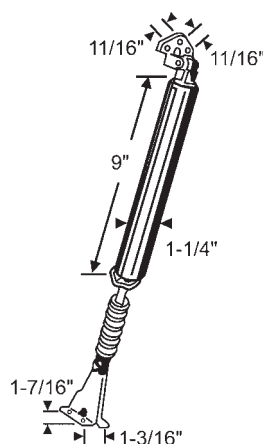
- For Storm and Screen, Jalousie or Interior Doors up to 1-3/4" Thick
- Has Two Times the Power of Standard Closers at Latching Position
- Permanently Lubricated
- Adjustable Speed Control



Part #	Color
18-103	Aluminum
18-102W	White

**820 Pneumatic Door Closer**

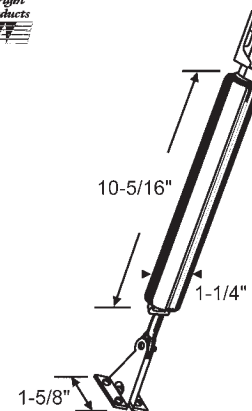
- For Light Storm Doors of Wood or Metal
- Full 90° Opening
- Two-Hole End Plug for Summer and Winter Adjustment
- Adjustable Closing Speed
- Total Length when Mounted Per Instructions: 11-1/16"



Part #	Color
18-61	Aluminum
18-60	Black

**Pneumatic Door Closer**

- For Wood or Metal Doors
- Full 90° Opening
- Two-Hole End Plug for Summer and Winter Adjustment
- Adjustable Closing Speed
- External Spring to Prevent Rod Bending
- Packaged with Narrow and Wide Bracket
- Total Length when Mounted Per Instructions: 13-7/16"

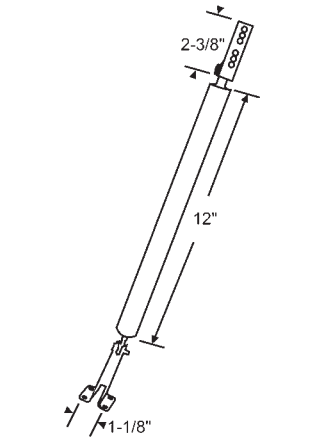


Part #	Color
18-114	Aluminum
18-112	Black
18-113	White

**920 Pneumatic Door Closer**

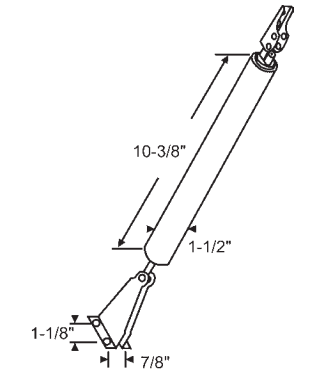
- For Wood or Metal Doors
- Full 90° Opening
- Two-Hole End Plug for Summer and Winter Adjustable Latching Power
- Adjustable Closing Speed
- Total Length when Mounted Per Instructions: 12-11/16"

STORM DOOR CLOSERS



Part #	Color
18-146	Black

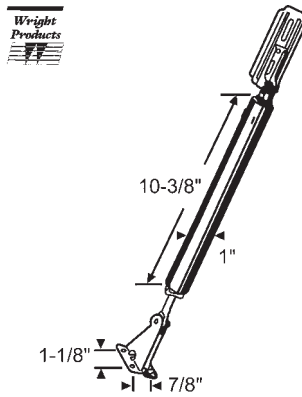
Hydraulic Door Closer



Part #	Color
18-97	Aluminum
18-97B	Black
18-97W	White
18-97G	Gold

150 Heavy Duty Torsion Pneumatic Door Closer

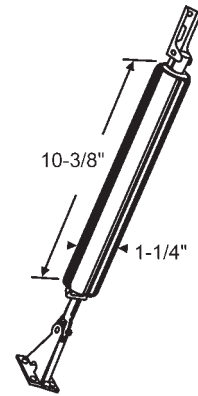
- For Wood or Metal Doors
- Full 90° Opening
- Two-Hole End Plug for Summer and Winter Adjustment
- Adjustable Closing Speed
- Internal Bumper for Prevention of Rod Bending
- Total Length when Mounted Per Instructions: 12-3/4"



Part #	Color
18-55	Aluminum
18-56	Black

H440 Hydraulic Door Closer

- Hydraulic Mechanism Provides Smooth "No Bounce" Action
- For Wood or Metal Doors
- Full 90° Opening
- Two-Hole End Plug for Summer and Winter Adjustment
- Adjustable Closing Speed by Rotating the Tube
- Aluminum Tube Assembly
- Total Length when Mounted Per Instructions: 12-11/16"

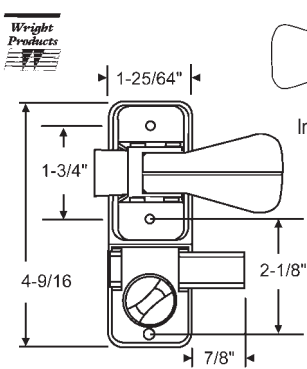


Part #	Color
18-143	Black
18-143AL	Aluminum
18-143W	White

Standard Pneumatic Door Closer

- Internal spring for shock absorption
- Provides 90° opening for outswinging doors
- Adjustable closing speed control valve
- Permanent internal lubrication
- All necessary hardware included

STORM DOOR INSIDE LATCHES

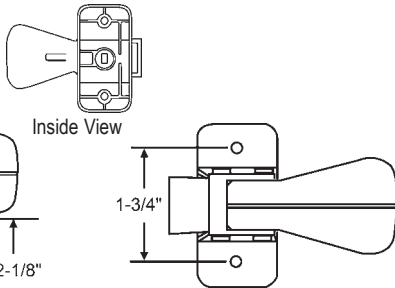


Part #	Color
17-135	Black

Deadlock Only

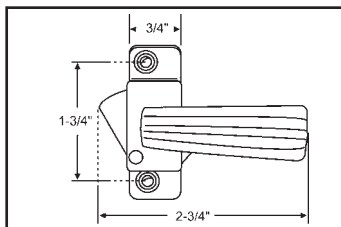
Part #	Color
17-160	Black
17-160W	White

- Durable, Heavy-Duty Design
- 1-3/4" Installation Hole Spacing
- Installs in Three 5/16" Holes
- Spring Loaded Nose for use with Z-Bar or Solid Strike
- Latch Assembly and Deadbolt are Reversible
- Can Replace Lever, Knob or Push Button Latch Designs



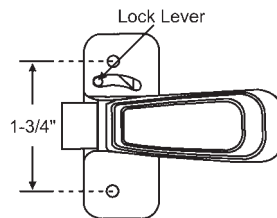
Part #	Color
17-140	Black

Inside Latch Only

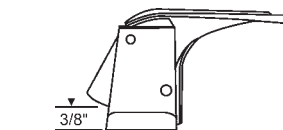


Part #	Color
17-1	Black
17-2	Aluminum

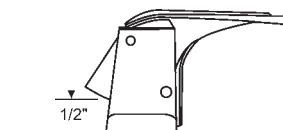
- For all Outswinging Doors 5/8" to 1-1/4" thick
- "No Lock Out" Feature
- 1-3/4" Mounting Hole Spacing
- Installs in Three 5/16" Holes
- Has a Spring Loaded Nose so a Solid Strike is Required



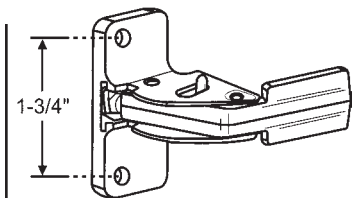
- Installs in Three 5/16" Holes
- Has a Spring Loaded Nose so Z-Bar or Solid Strike is Required
- "No Lock Out" Feature



Part #	Color
17-174	Black



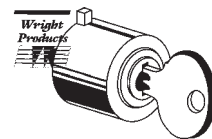
Part #	Color
17-18	Black



Part #	Color
17-3	Black

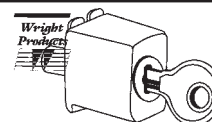
1-3/4" Mounting Hole Spacing. Standard Latch

KEY LOCKS



Part #	Color	Converts Handles
19-125	Black	17-65, 17-66

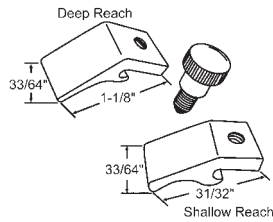
Converts Latches to Key Locking Sets



Part #	Color	Converts Handles
19-127	Black	17-56, 17-71, 17-96, 900-7339B, 900-7340

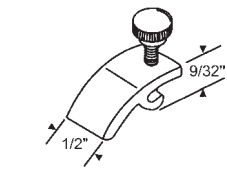
Converts Latches to Key Locking Sets

STORM DOOR PANEL CLIPS AND THUMB SCREWS



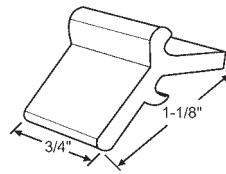
Part #	Color
19-465	White
19-465B	Black

Storm/Screen Door Panel Clip Kits. Includes 4 Each, 2 Styles (Deep and Shallow Reach) of Nylon Clips and 4 Aluminum Screws 8/32" x 1/4" (12pcs. Total)



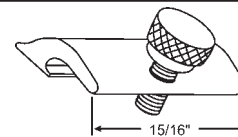
Part #	Color
19-122	Aluminum
19-112	White

1/4" Offset. Metal



Part #	Color
19-129	White

Nylon



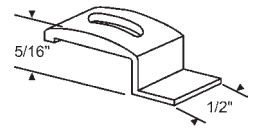
Part #	Color
900-8004BK	Black

Metal



Part #	Color
19-116	Aluminum
19-123	White
19-123B	Brown

8-32 x 9/16". Aluminum

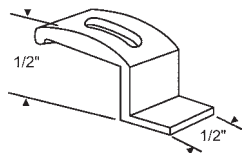


Part #	Color
19-100	Aluminum
19-108	White

1/4" Offset. Metal

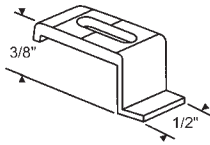
HINGE PIN

STRIKES



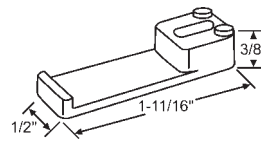
Part #	Color
19-102	Aluminum
19-110	White

3/8" Offset. Metal



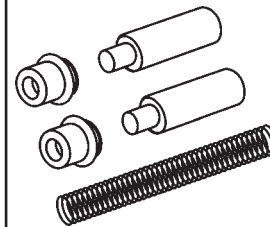
Part #	Color
900-14558	White
900-14558AL	Aluminum

1/4" Offset. Metal



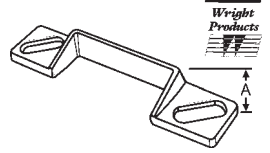
900-6759

Storm Door Clip. White



19-496

White Hinge Pins and Bushings

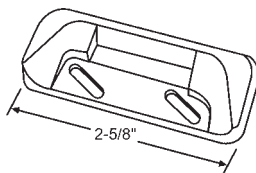


Part #	Color	A
19-185A	Silver	1/4"
19-185B	Black	1/4"
19-197	Steel	1/2"
19-197B	Black	1/2"

No Lock Out. Zinc Solid

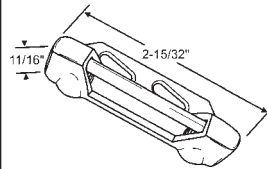
SHIMS

HINGE



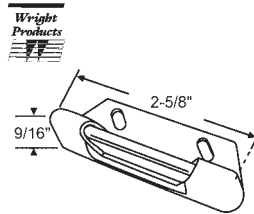
19-227

Black Nylon



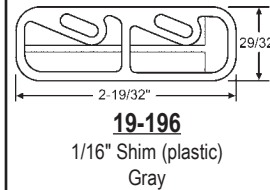
Part #	Color
19-194B	Black
19-194A	Aluminum

3/4" High Profile. Resilient



Part #	Color
19-300B	Black
19-300AL	Silver
19-300W	White

9/16" High Profile. Resilient



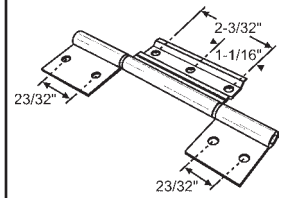
19-196

1/16" Shim (plastic) Gray



19-186G

1/8" Shim (plastic) Gray



Part #	Color
19-708	Aluminum
19-708BZ	Bronze
19-708W	White

Offset Screen Door Hinge

PUSH BUTTON

DOOR CHAIN

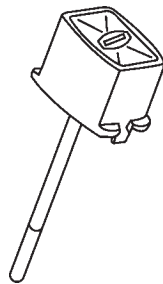
BRACKET

SCREEN SPLINE



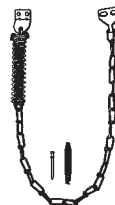
19-128

Metal Breakaway Spindle with Spring



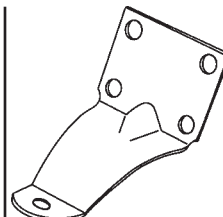
19-131

Black Plastic. Used with 17-56 & 17-58



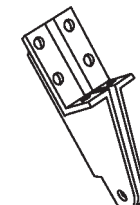
19-106

Includes Hold-Up Spring to Prevent Chain from Hitting Door and Scratching Glass. Includes All Necessary Hardware



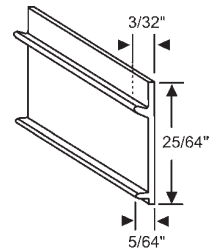
19-313

Inswinging Jamb Bracket for Heavy Duty Pneumatic Door Closer. Includes Pin, Screws and Instructions.



Part #	Color
19-332W	White
19-332B	Black
19-332FBN	Florida Brown

Florida Jamb Bracket. Plastic.



66-61X

Vinyl Screen Spline. Black, 100' Roll  
**FOREVER DOOR**